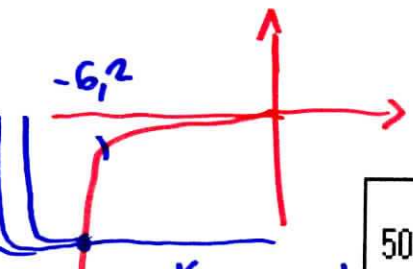
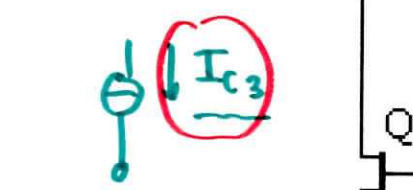


LEZIONI PRIVATE 346/3103392

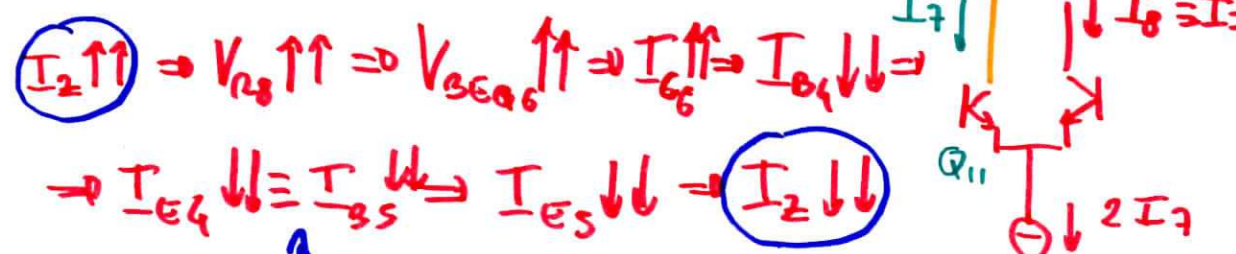
723



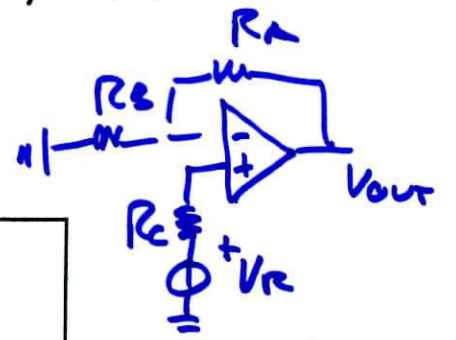
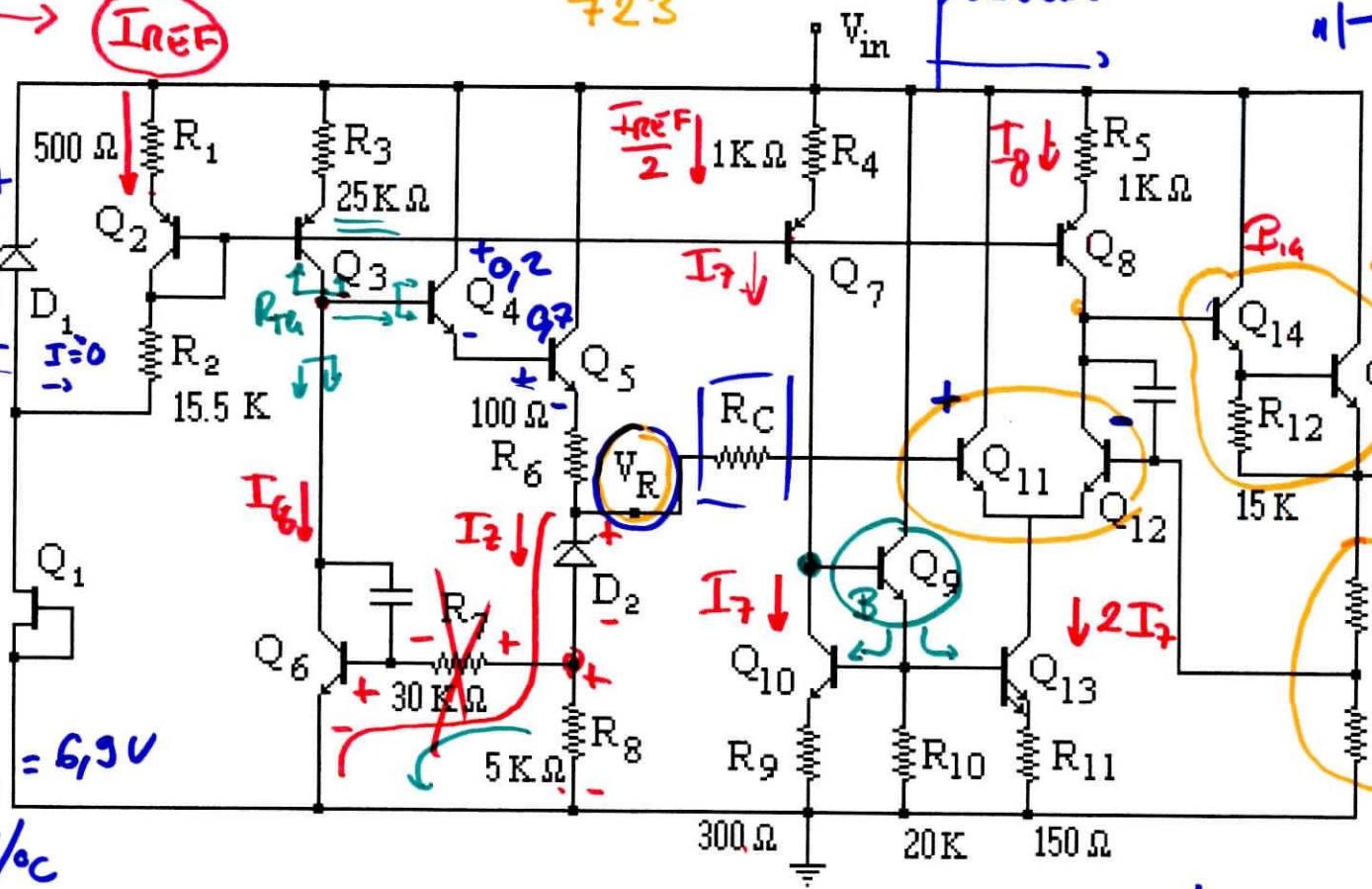
$(1 + G_m r_f) =$
 $R_{TE} = V_0 (1 + g_m R_3)$



$6,2 + 97$
 $V_R = |V_{z_{D2}}| + V_{BE_{Q6}} = 6,9V$
 $+2mV/OC -2mV/OC$



ELI2 sc72301A000214.mpg



$A_v \approx R_C = R_A // R_B$

